



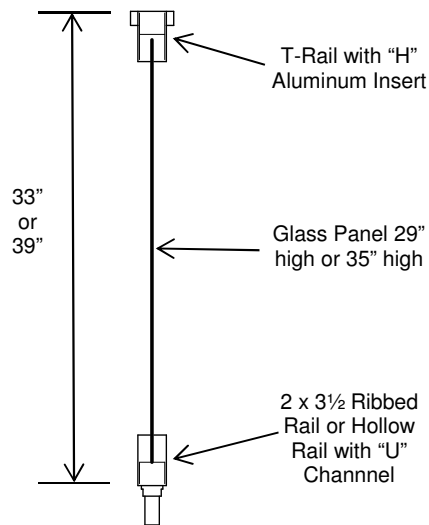
Vinyl Products

Effective: 2/29/2016  
www.almarvinyl.ca • sales@almarvinyl.ca  
Exeter, Ontario (888) 644-2844

## Glass Railing Instructions

---

1. Install brackets for the top and bottom rail at the proper height.
2. Install bottom rail only using the method described in the standard railing instructions.
3. Install “U” Channel that supports glass in bottom rail. If bottom rail has no intermediate rib in it. See Drawing below.



4. Install glass panels into slots in bottom rail and have 1 person holding the glass in place.
5. Install top rail onto glass panels and onto brackets. Be careful not to lower top rail below bracket location or glass will come into contact with aluminum stiffener inside rail and may cause glass to shatter.



CERTIFICATE NO. \_\_\_\_\_

**APPLICATION FOR TRANSFER OF PVC FENCE AND DECK PRODUCTS**

This is to certify that on \_\_\_\_\_, 20\_\_\_\_,

I, \_\_\_\_\_  
(Original Home Owner)

at \_\_\_\_\_  
(Address of Installation)

have sold to \_\_\_\_\_  
(New Home Owner)

\_\_\_\_\_  
(Signature of Original Purchaser)

I have read and accept the terms and conditions of the Homeland PVC Fence and Deck Products Warranty.

Date \_\_\_\_\_ Signature of New Home Owner \_\_\_\_\_

CERTIFICATE NO. \_\_\_\_\_

Date of Installation: \_\_\_\_\_

**WARRANTY REGISTRATION AND VALIDATION SYSTEM**

All information must be complete in order to place the warranty on your purchase into effect. Complete only one registration per installation and product and MAIL WITHIN TEN DAYS.

Home Owner: \_\_\_\_\_ Home Owner Telephone: (\_\_\_\_) \_\_\_\_\_

Address and Location: Street: \_\_\_\_\_ City: \_\_\_\_\_ State: \_\_\_\_\_ Zip: \_\_\_\_\_

**HOME OWNER'S SIGNATURE** \_\_\_\_\_ **DATE** \_\_\_\_\_

Dealer Name: \_\_\_\_\_

Street: \_\_\_\_\_ City: \_\_\_\_\_ State: \_\_\_\_\_ Zip: \_\_\_\_\_

**DEALER SIGNATURE** \_\_\_\_\_ **DATE** \_\_\_\_\_

**LIST THE FOLLOWING INFORMATION OF EACH PROFILE**

SIZE

LENGTH

COLOR

<u>SIZE</u>	<u>LENGTH</u>	<u>COLOR</u>

NAME \_\_\_\_\_  
ADDRESS \_\_\_\_\_  
\_\_\_\_\_

PLACE  
STAMP  
HERE

**HOMELAND VINYL PRODUCTS, INC.**  
P.O. BOX 170729  
BIRMINGHAM, AL 35217-0729

ATTENTION: WARRANTY DEPARTMENT

NAME \_\_\_\_\_  
ADDRESS \_\_\_\_\_  
\_\_\_\_\_

PLACE  
STAMP  
HERE

**HOMELAND VINYL PRODUCTS, INC.**  
P.O. BOX 170729  
BIRMINGHAM, AL 35217-0729

ATTENTION: WARRANTY DEPARTMENT